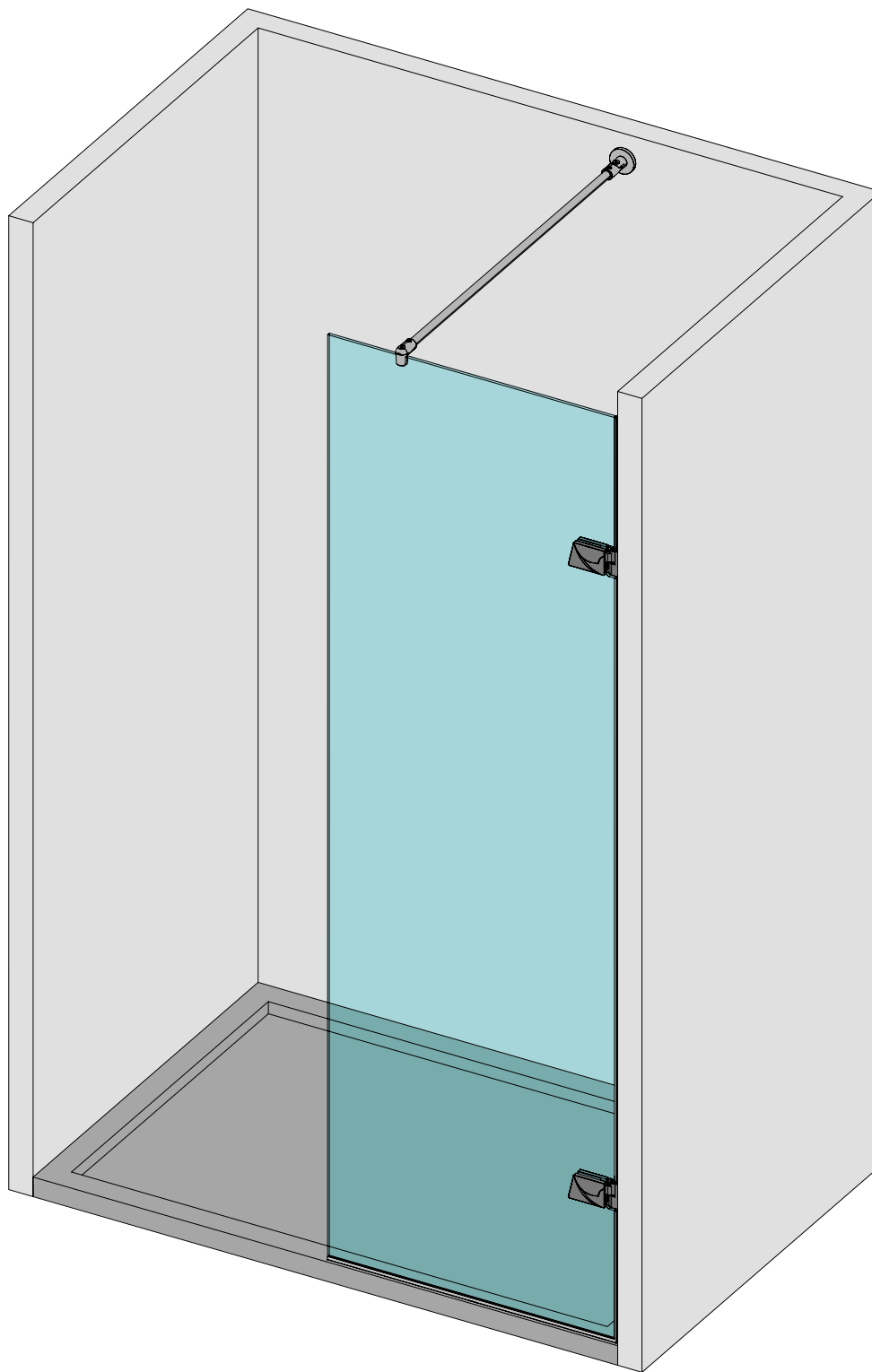


Fijo Walk-in Abisagrado

Instrucciones de instalación
Assembly instructions
Instructions de montage
Prescrizioni di montaggio



www.mundilite.com

Apdo. de Correos 72

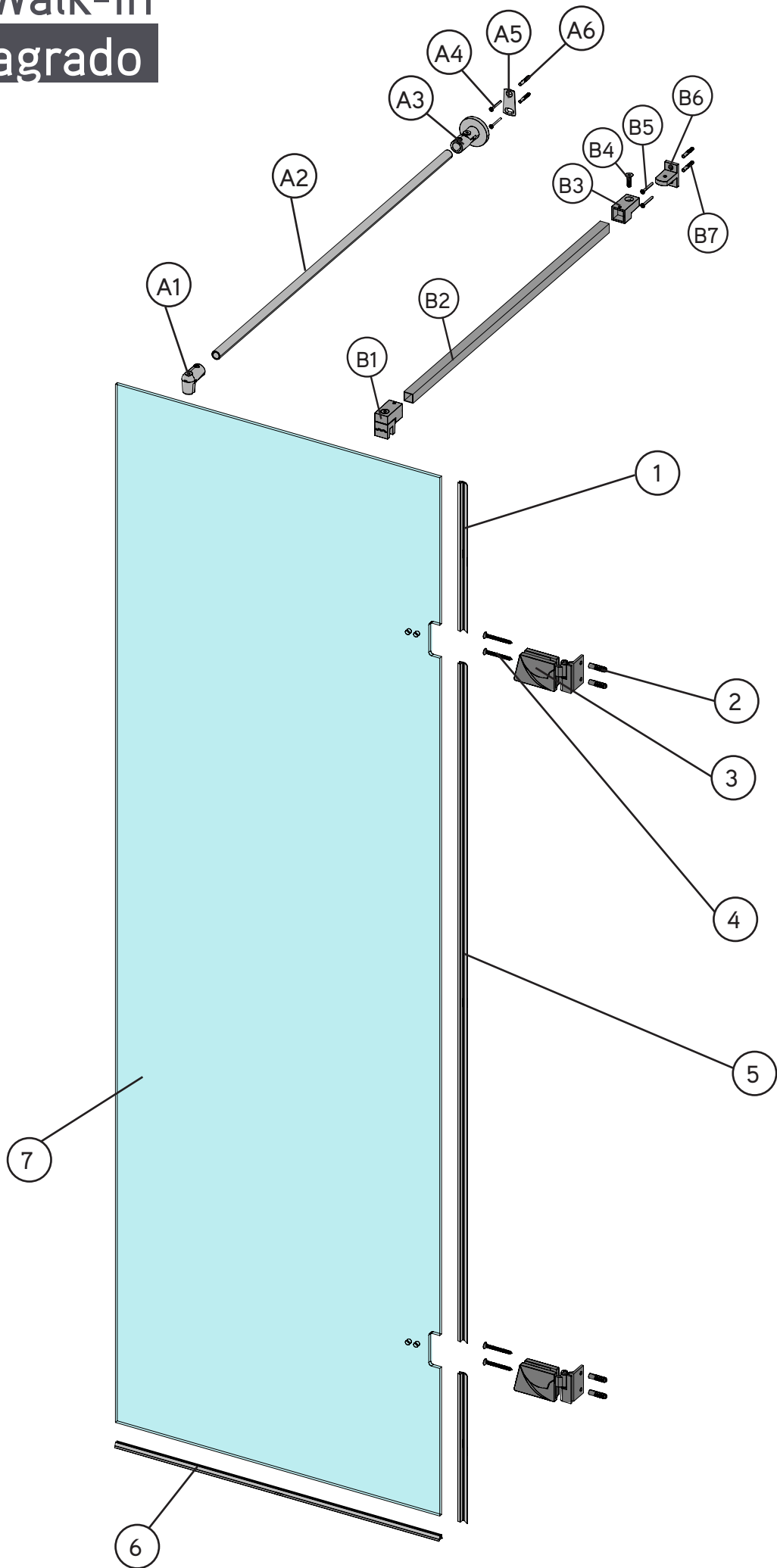
C/ Malvasia Parc. 9 y 11 - Polígono Industrial Pino Blay - 46380 Cheste - Valencia - Spain

Telfs +34 96 251 28 94 / +34 96 070 23 81 - Fax: +34 96 251 14 78

email: admon@mundilite.com

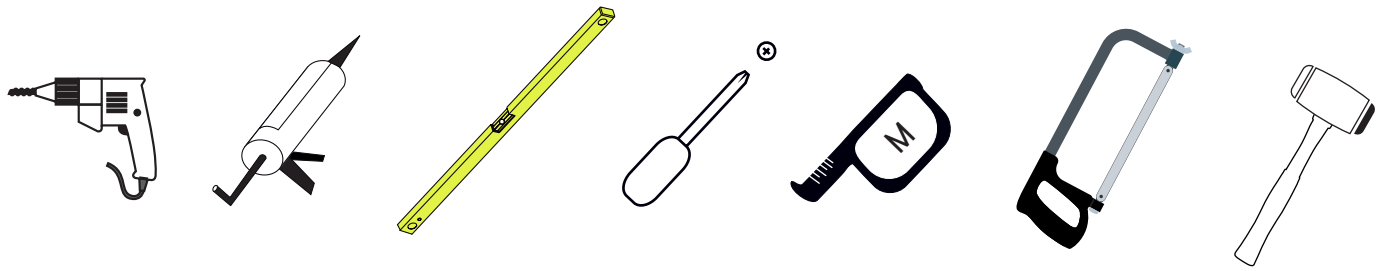

mundilite

Fijo Walk-in Abisagrado



Fijo Walk-in Abisagrado

Herramientas / Tools / Outils / Strumenti di costruzione



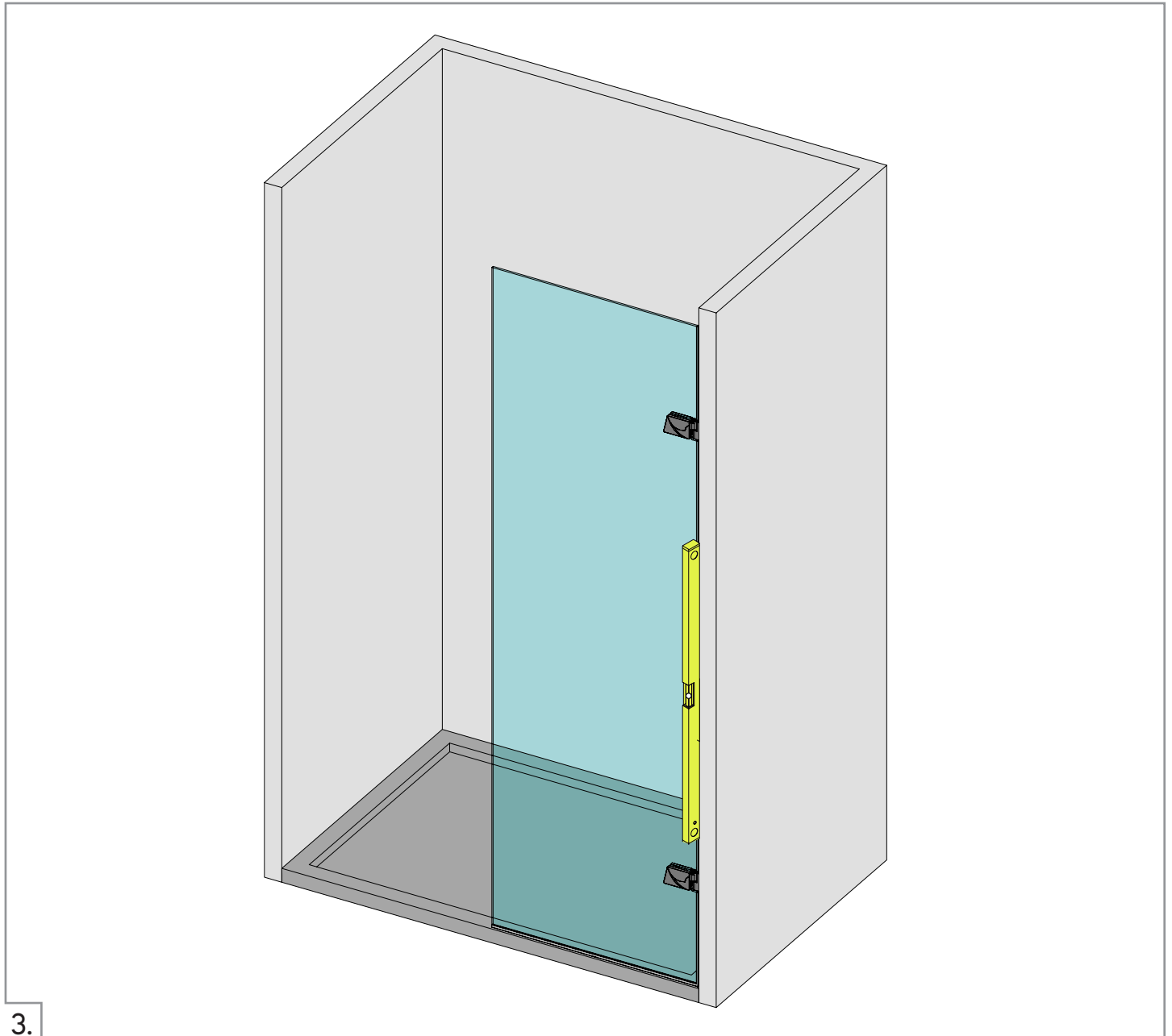
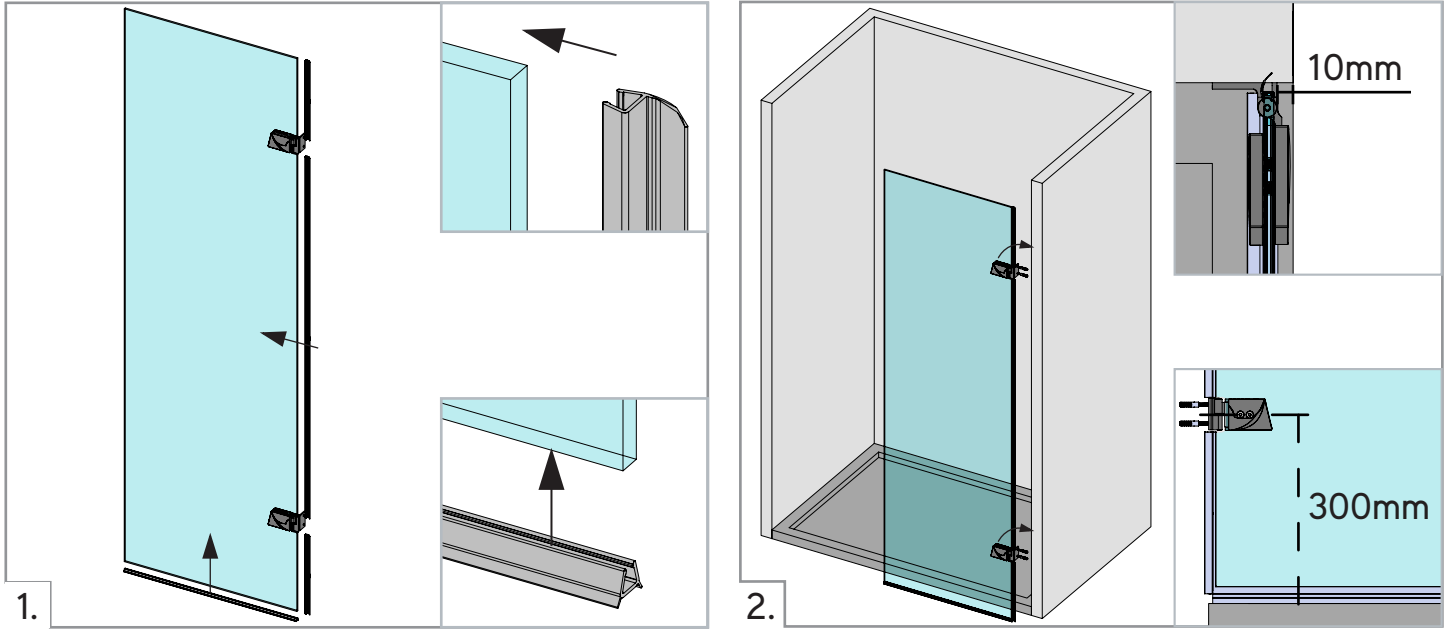
Equipamiento / Features / Équipement / Capitolato

| Ref. | | Quant. |
|------|--|--------|
| 1. | | 2 Pc. |
| 2. | | 4 Pc. |
| 3. | | 2 Pc. |
| 4. | | 4 Pc. |
| 5. | | 1 Pc. |
| 6. | | 1 Pc. |
| 7. | | 1 Pc. |

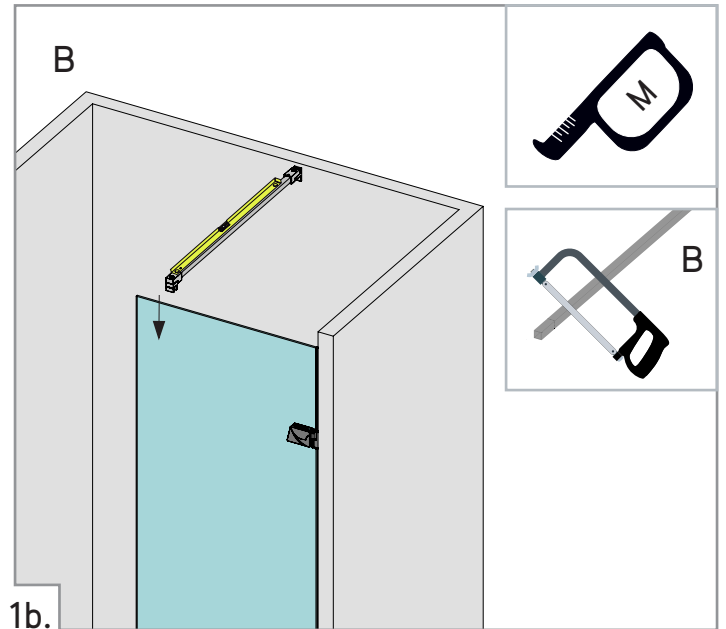
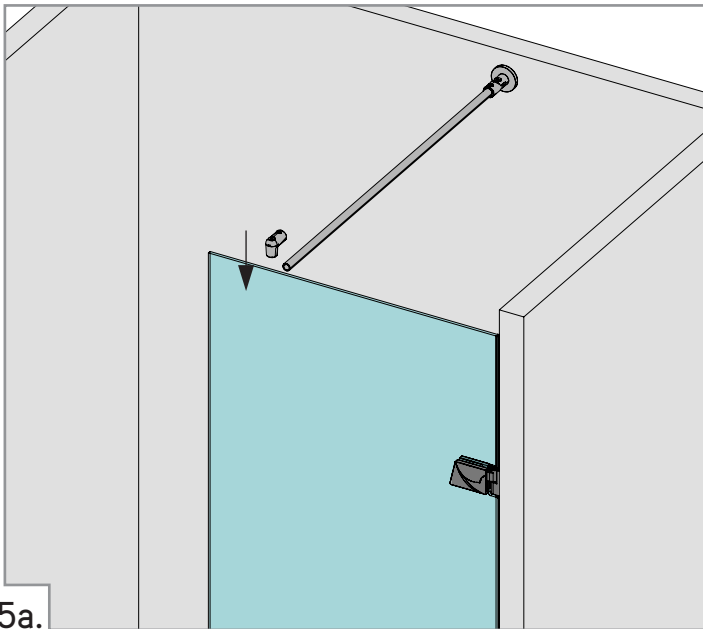
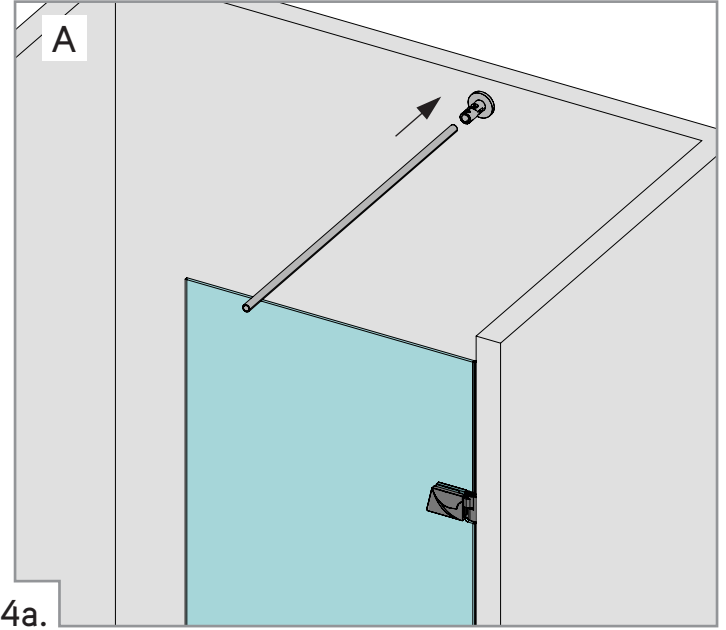
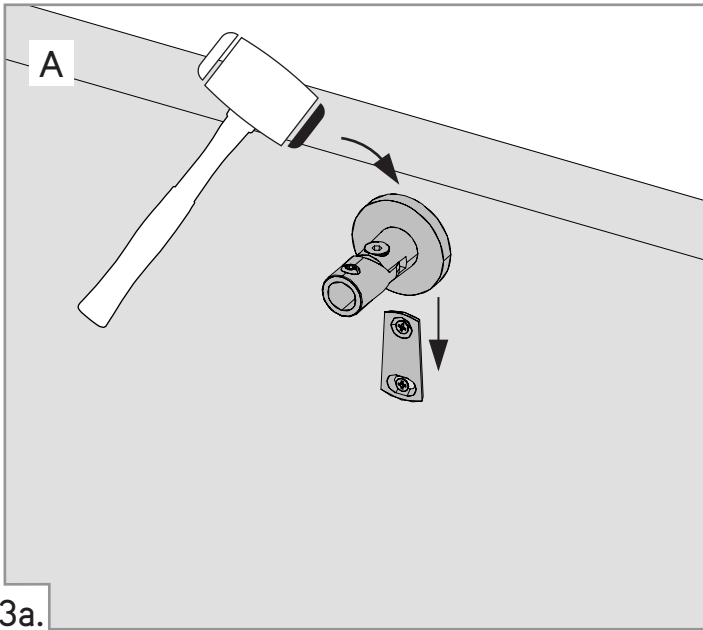
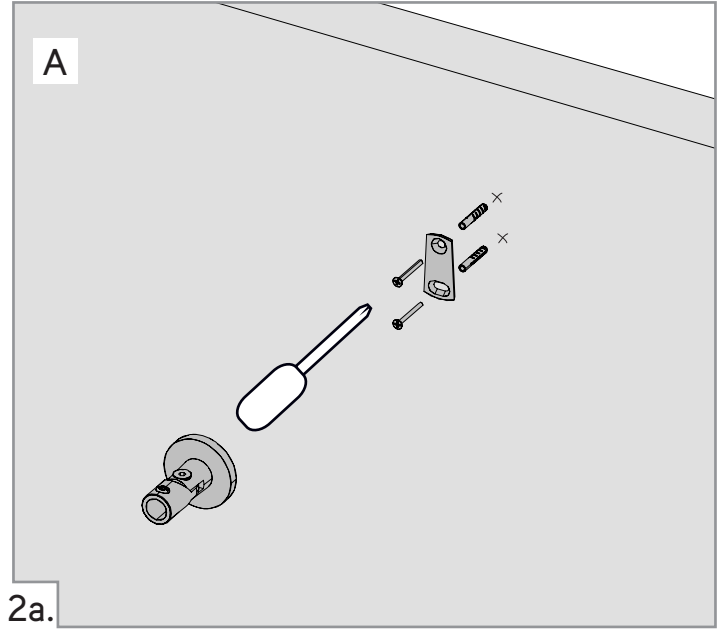
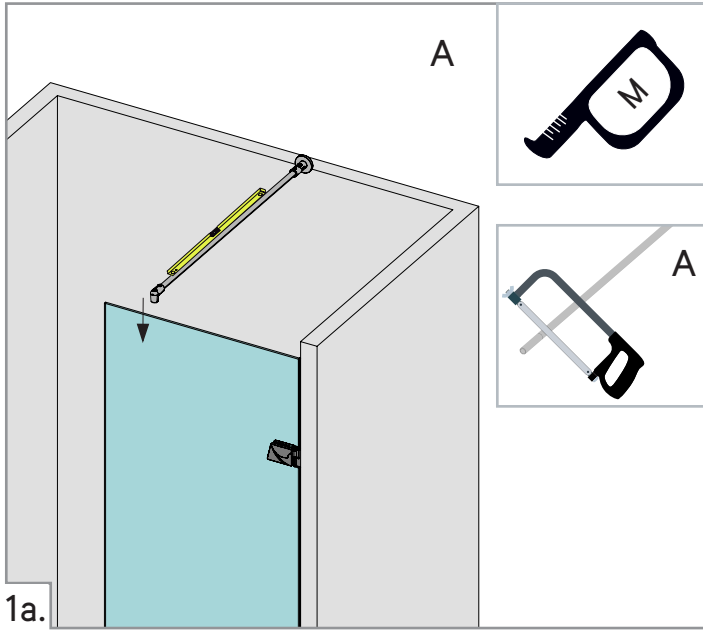
| Ref. | | Quant. |
|------|--|--------|
| A1. | | 1 Pc. |
| A2. | | 1 Pc. |
| A3. | | 1 Pc. |
| A4. | | 2 Pc. |
| A5. | | 1 Pc. |
| A6. | | 2 Pc. |

| Ref. | | Quant. |
|------|--|--------|
| B1. | | 1 Pc. |
| B2. | | 1 Pc. |
| B3. | | 1 Pc. |
| B4. | | 1 Pc. |
| B5. | | 2 Pc. |
| B6. | | 2 Pc. |
| B7. | | |

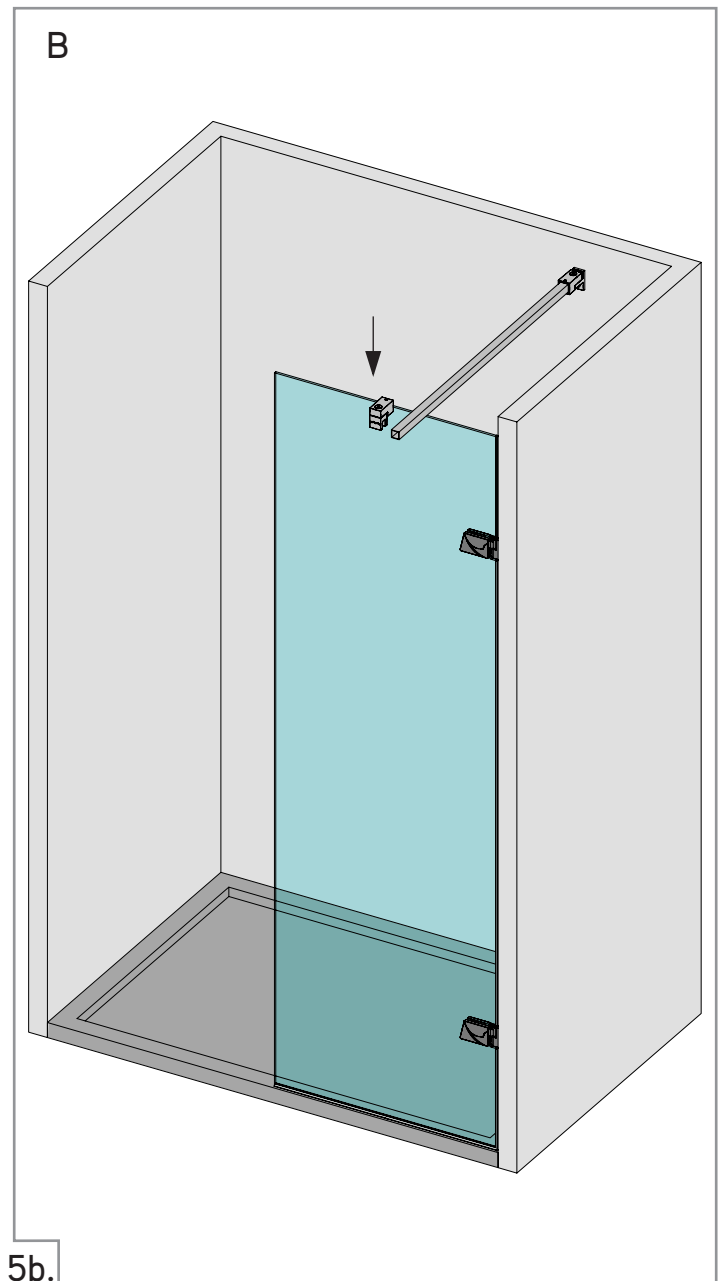
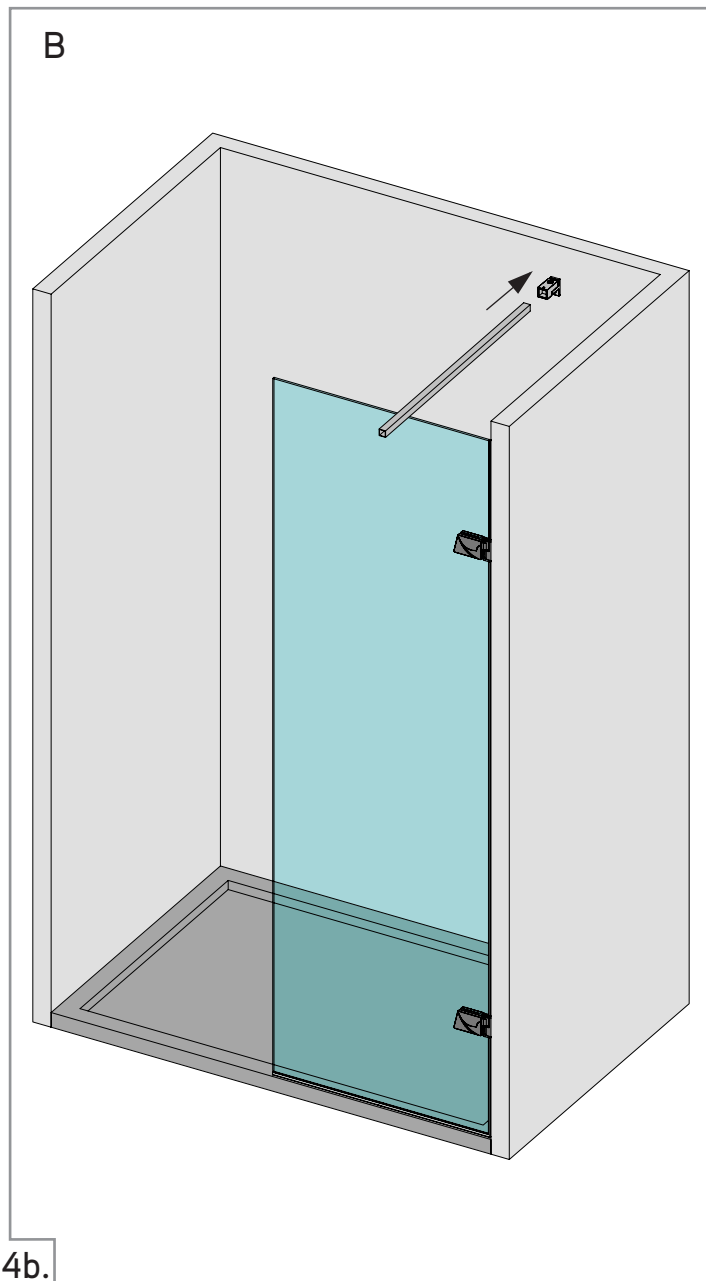
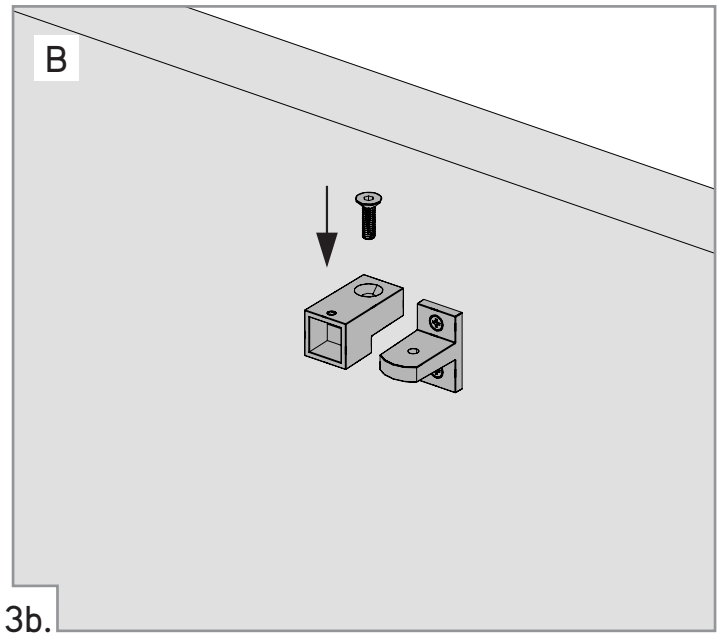
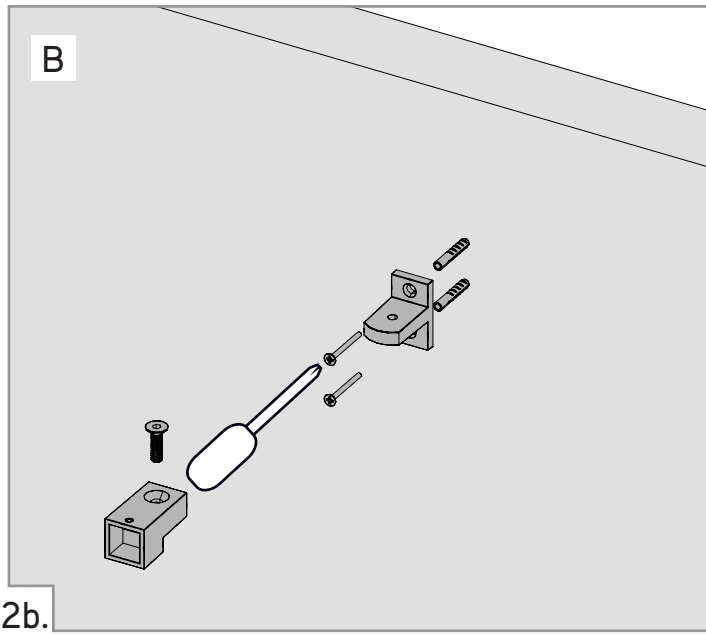
Fijo Walk-in Abisagrado



Fijo Walk-in Abisagrado



Fijo Walk-in Abisagrado



Fijo Walk-in Abisagrado

