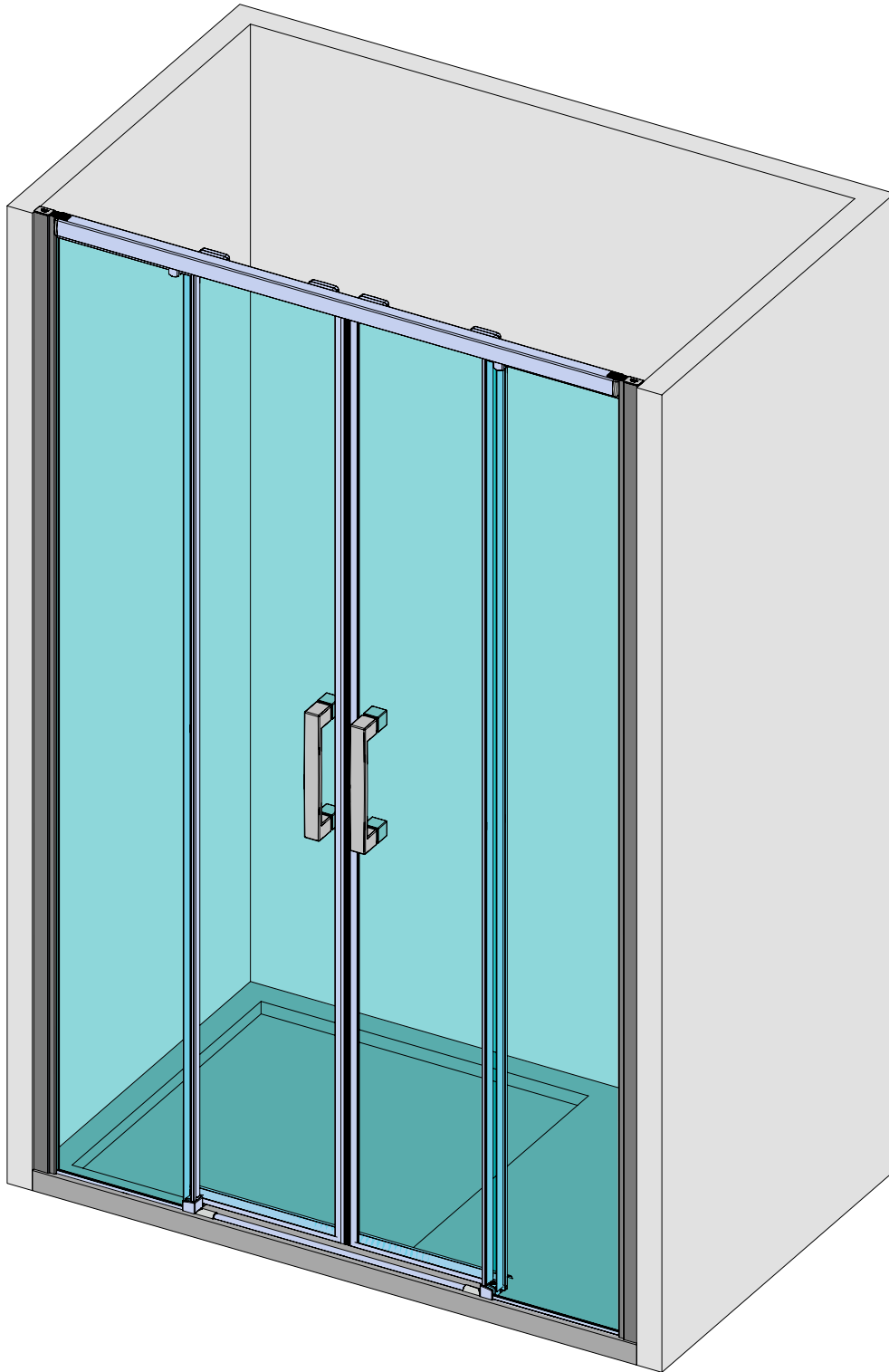


S3000 OP

Instrucciones de instalación
Assembly instructions
Instructions de montage
Prescrizioni di montaggio



www.mundilite.com

Apdo. de Correos 72

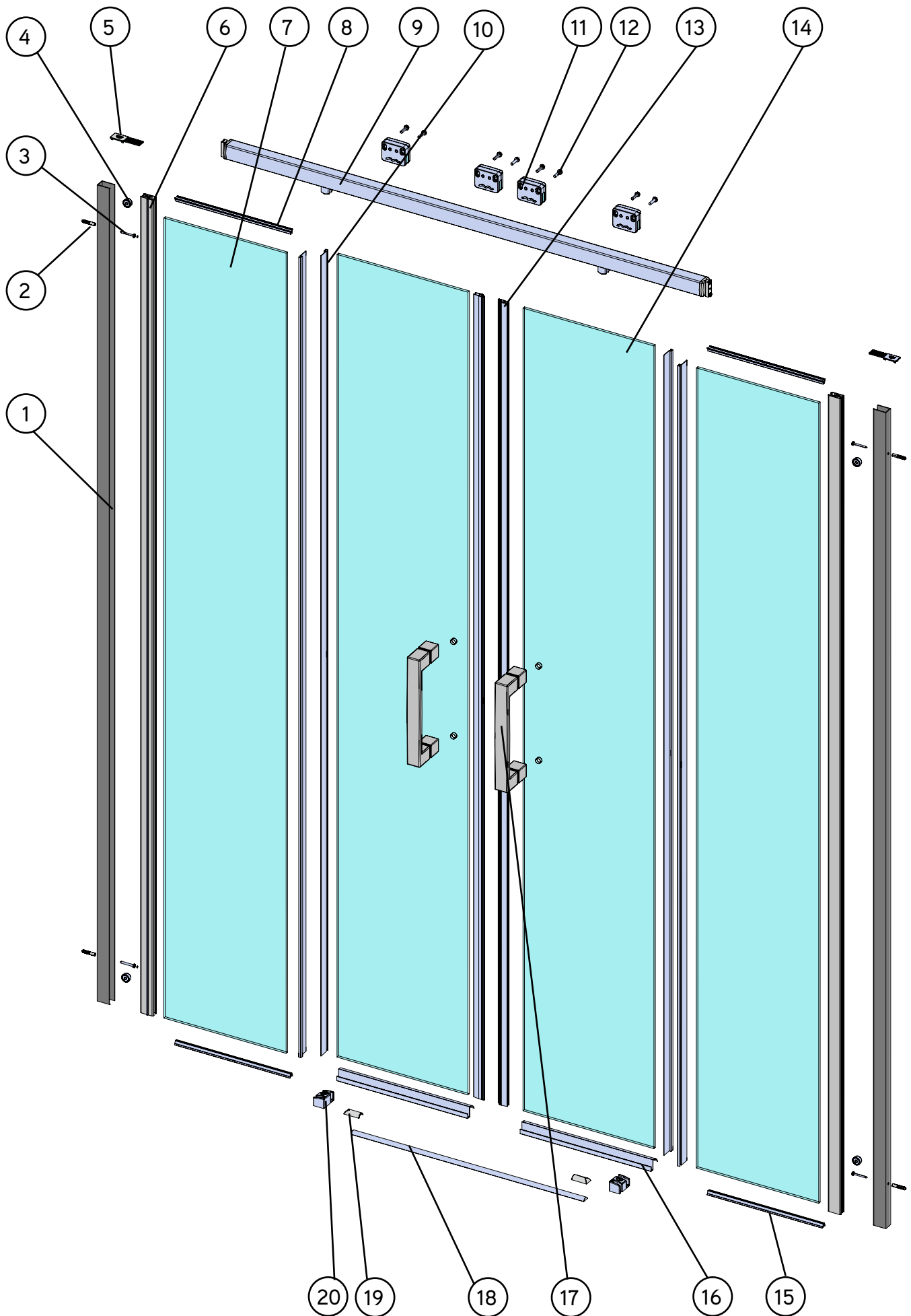
C/ Malvasia Parc. 9 y 11 - Polígono Industrial Pino Blay - 46380 Cheste - Valencia - Spain

Telfs +34 96 251 28 94 / +34 96 070 23 81 - Fax: +34 96 251 14 78

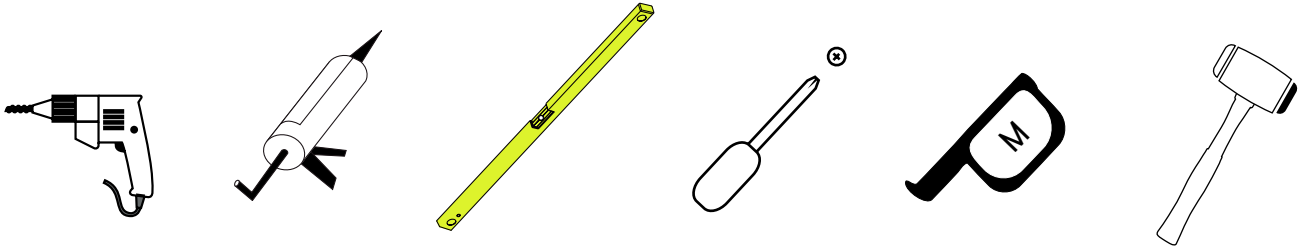
email: admon@mundilite.com


mundilite

S3000 OP



Herramientas / Tools / Outils / Strumenti di costruzione



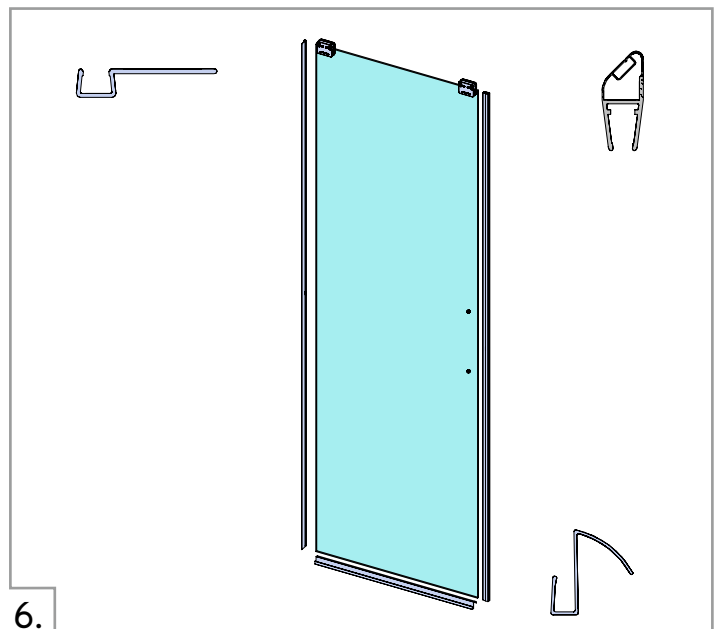
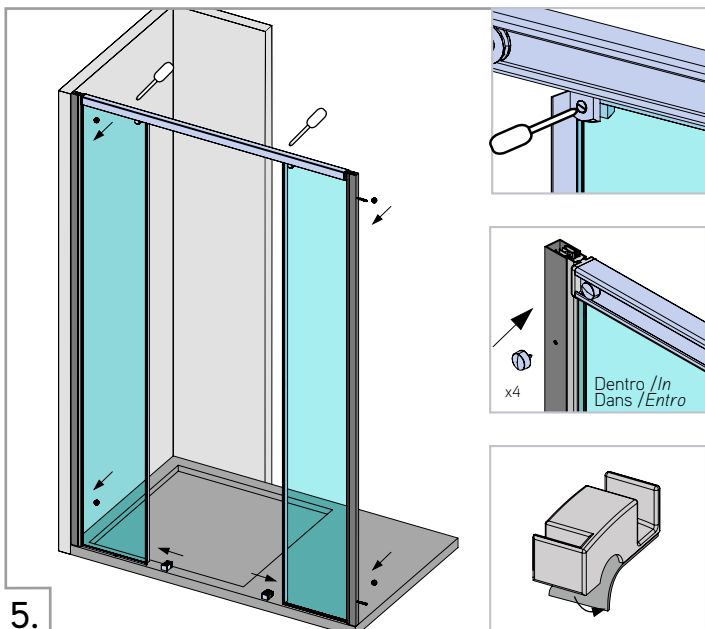
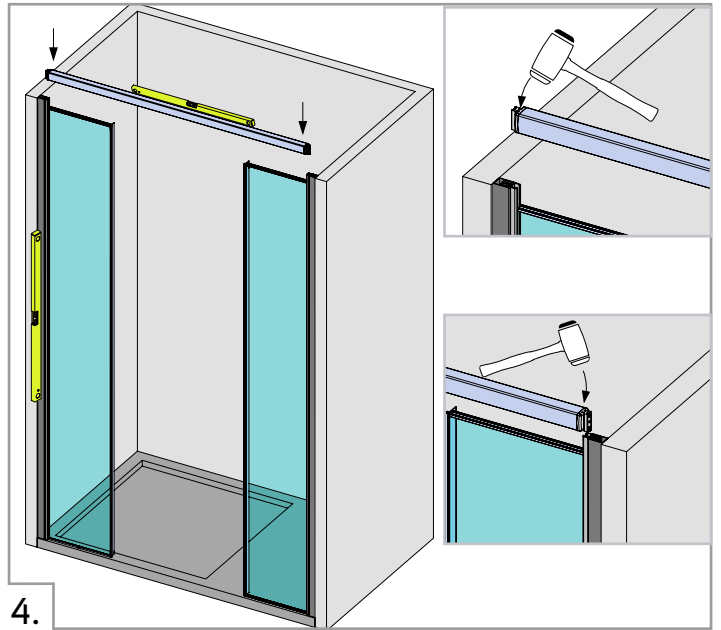
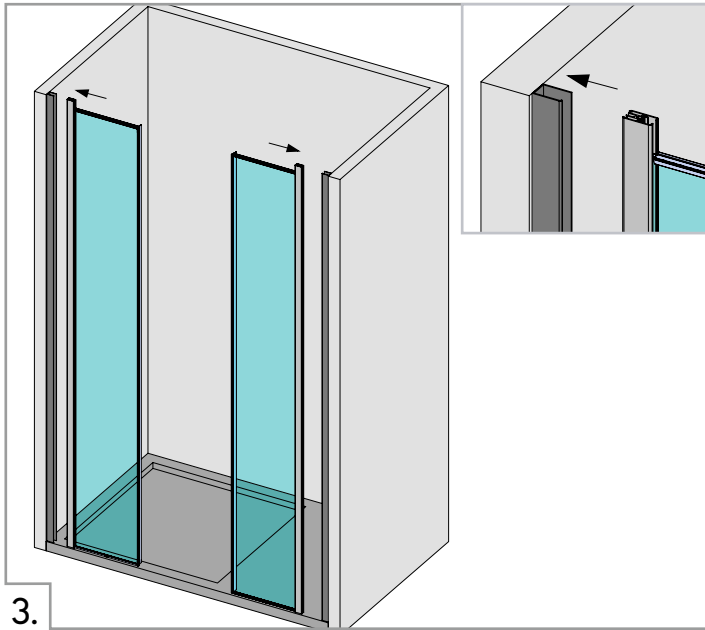
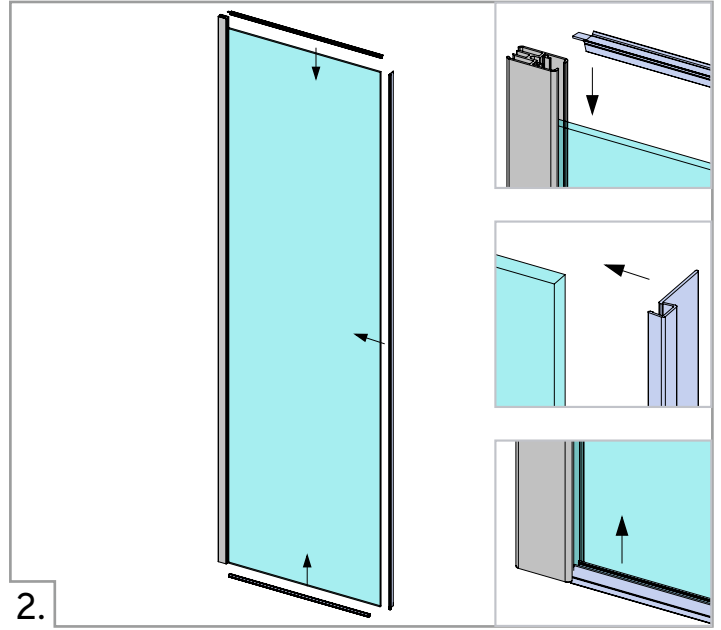
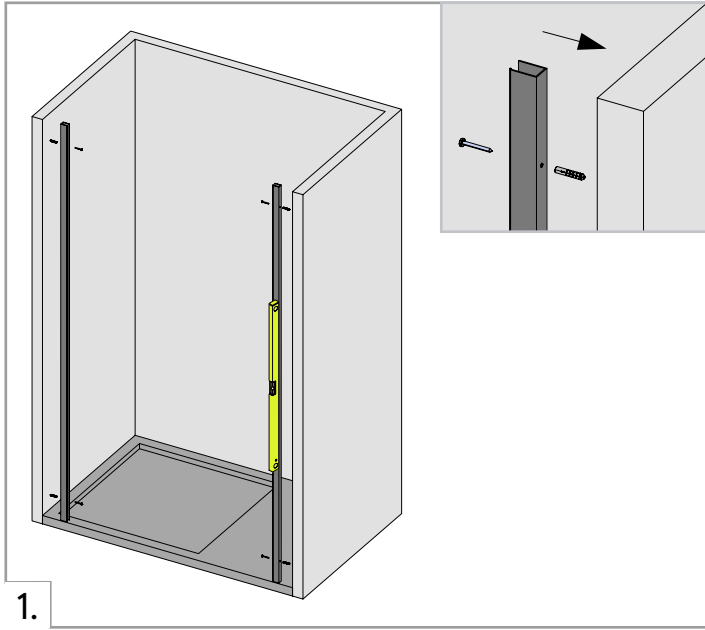
Equipamiento / Features / Équipement / Capitolato

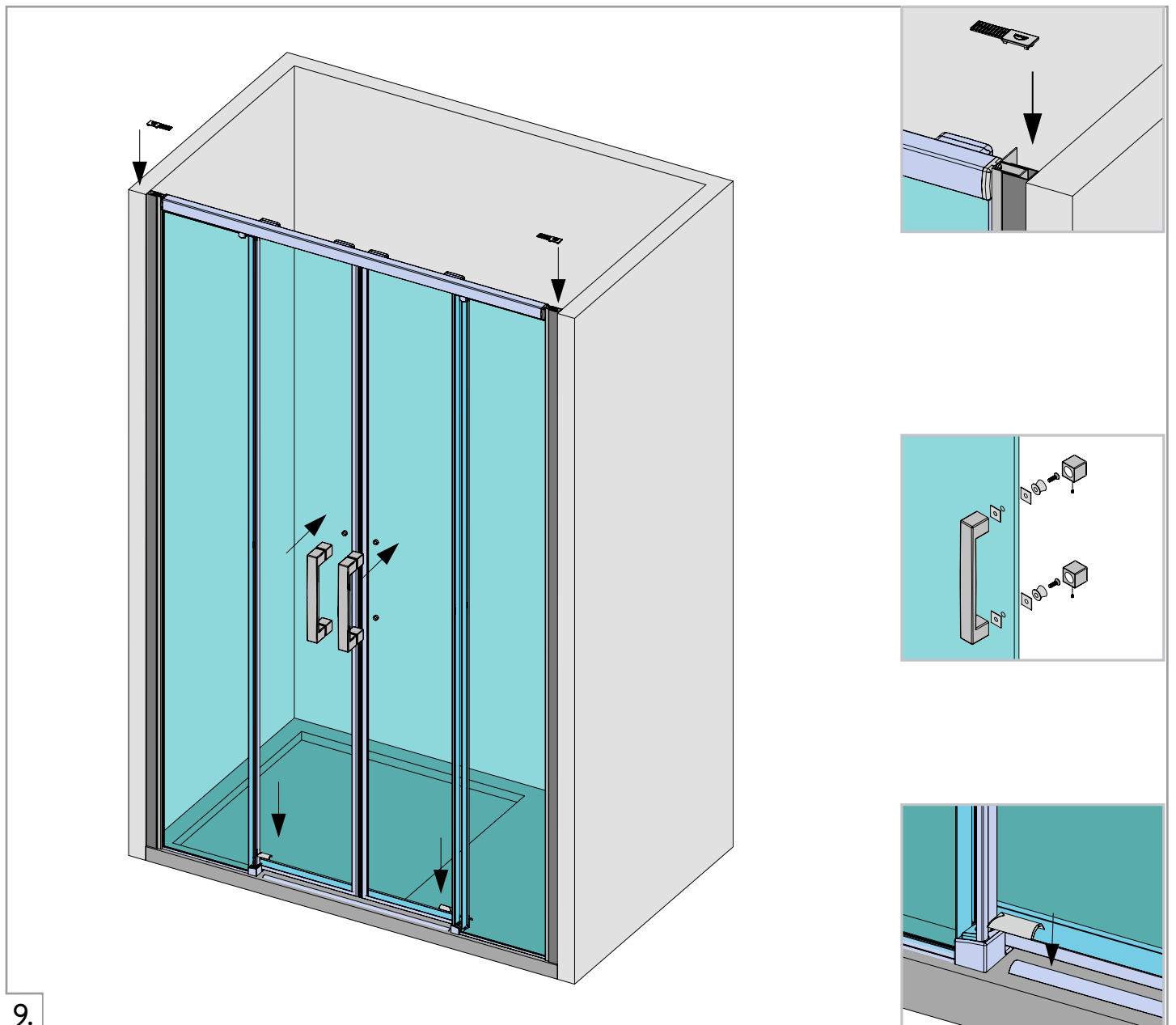
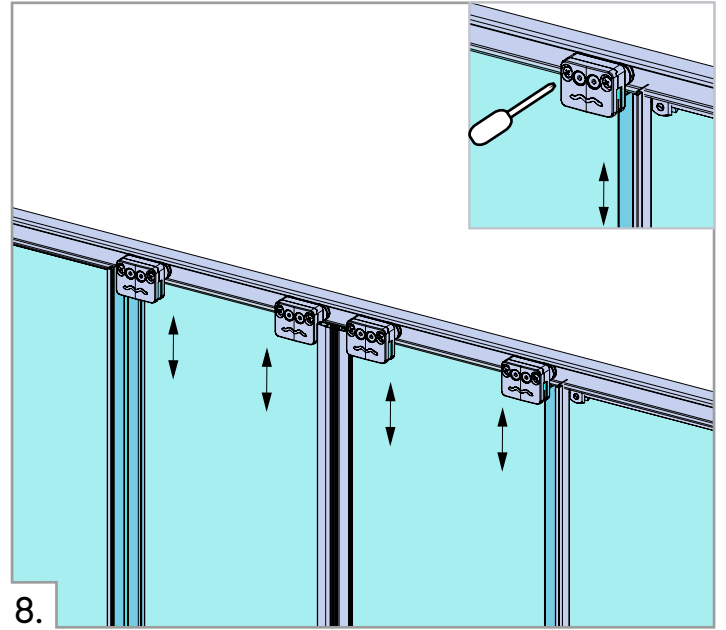
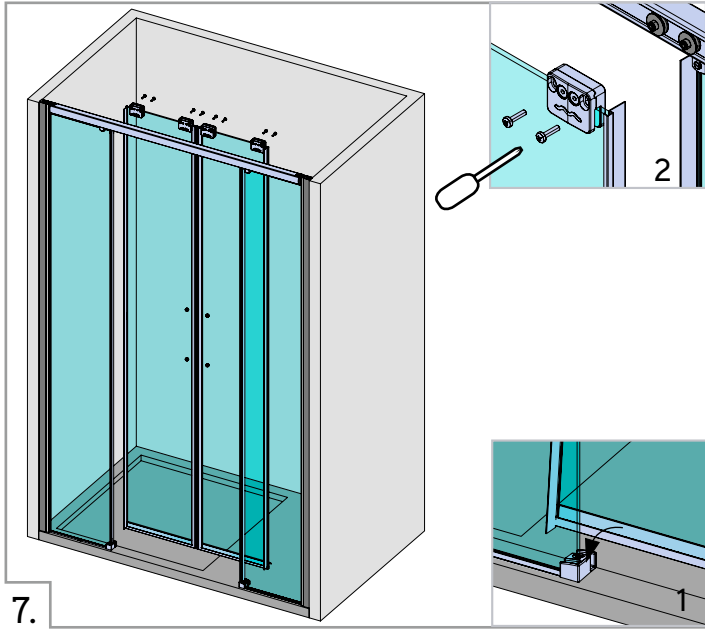
| Ref. | | Quant. |
|------|--|--------|
| 1. | | 2 Pc. |
| 2. | | 4 Pc. |
| 3. | | 4 Pc. |
| 4. | | 4 Pc. |
| 5. | | 2 Pc. |
| 6. | | 2 Pc. |
| 7. | | 1 Pc. |
| 8. | | 1 Pc. |

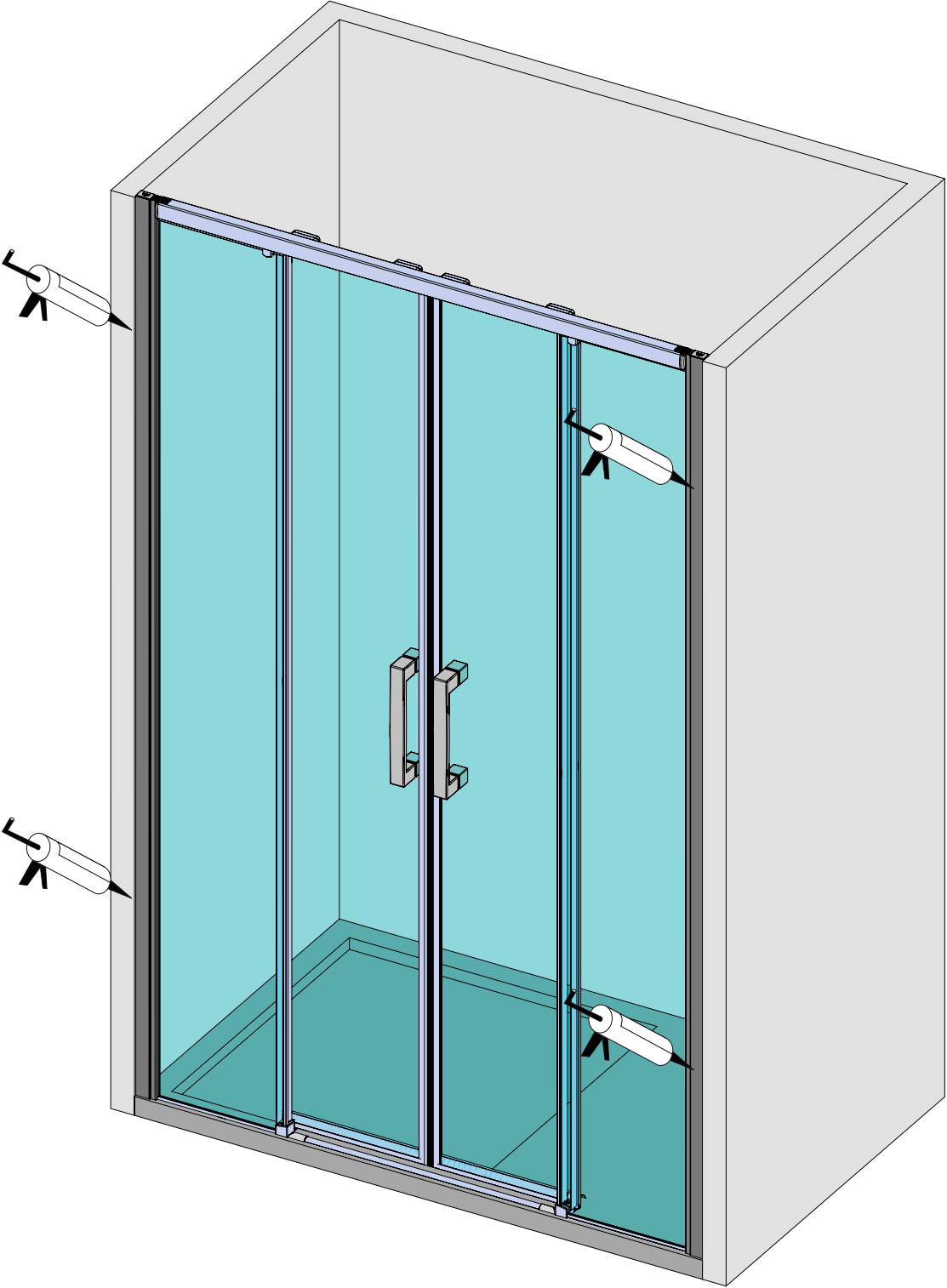
| Ref. | | Quant. |
|------|--|--------|
| 9. | | 1 Pc. |
| 10. | | 2 Pc. |
| 11. | | 2 Pc. |
| 12. | | 8 Pc. |
| 13. | | 1 Pc. |
| 14. | | 1 Pc. |
| 15. | | 1 Pc. |

| Ref. | | Quant. |
|------|--|--------|
| 16. | | 1 Pc. |
| 17. | | 1 Pc. |
| 18. | | 1 Pc. |
| 19. | | 2 Pc. |
| 20. | | 1 Pc. |
| 21. | | 1 Pc. |
| 22. | | 1 Pc. |

S3000 OP







10.